

AeroCut series

Aerocut

Aerocut Quatro

The best cutter, creaser & perforator ever.



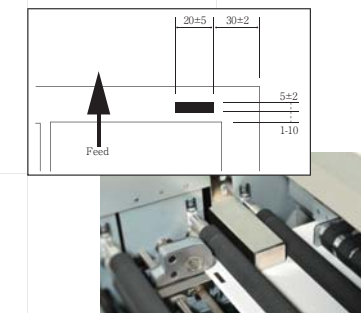
Finishing jobs are made in one box.

The revolutionary AeroCut has been designed for all businesses and organisations that are printing and copying digitally but need to finish their jobs by cutting, slitting and creating.



Superb Suction Feed System.

The AeroCut uses an Upper Belt Air suction system that is simply unrivalled. This feeder is so good it is capable of accurately feeding even the most difficult of stocks such as high gloss, or coated card right up to 350 g/m2.



Ultra Accurate Cutting.

Using Cut Register Mark Detection, the sensor will detect the position of the printed image on each sheet. The machine will then adjust itself automatically to produce the perfect cut every time. This eliminates any waste from poorly printed work and ensures that the overall job looks completely uniform.



AeroCut Ultra Crease System.

The AeroCut uses the unique Uchida Ultra-Crease system to produce beautiful creasing every time with no toner cracking. Adjustable to 5 different levels it is possible to select for any thicknesses of card, light or heavy creasing on-the-run.

Specifications of AeroCut

Basic functions	Slitting Cross cutting Creasing Perforating	Speeds	8 sheets / min. A4 2 cuts 1 crease 4 x greetings cards = 7 SRA3 21 x business cards = 6 SRA3
Operation	Touch screen	Dimensions	Width 877 mm Depth 714 mm Height 1037 mm
Job memories	263 preset jobs 50 job memories	Footprint	Width 1720 mm Depth 714 mm Height 1500 mm
Feeding system	Air blow + Upper belt suction feed Cut mark register + Skew adjustable Capacity 60 mm	Net weight	180 kg
In-feed paper size	Width 210 - 365 mm Length 210 - 520 mm	Power supply	100 - 240 VAC 50/60Hz 240W
Min. finished size	Width 55 mm Length 50 mm	Options	
Paper weight	120 - 350 gsm	Feeding unit	Ionizer

Specifications are subject to change without notice.

Faster, more accurate and even easier.



Up to x2.5 faster processing speed.

Advanced technologies enable high-speed operation. Compared to previous model AeroCut its processing speed is up to 2.5 times faster. (Depending on application) Save your time with AeroCut 4.

*Compared to the model AeroCut



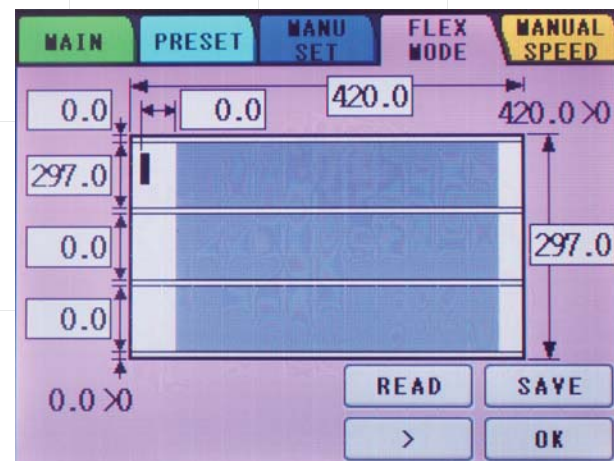
High quality cutter & slitters guarantee a perfect finish.

Two margin slitters and two double slitters deflect wastes and durable cutter produce a perfect finish every time. High quality creasing system gives a sharp fold with a perfect finish.



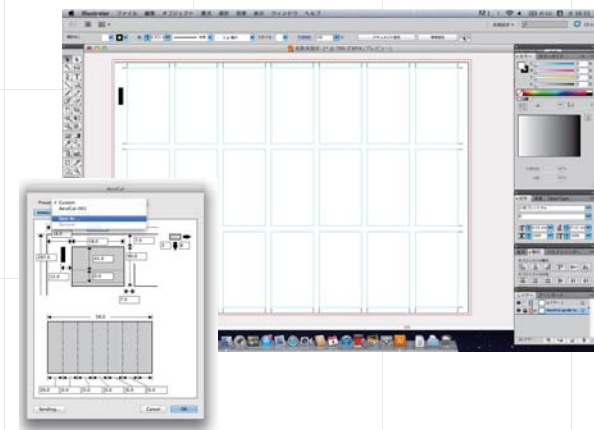
Intuitive setting & operation controls.

A five inch colour display makes job setting and operation simple and user-friendly. You can instantly read plenty kinds of preset data and save up to 90 additional jobs, such as business cards, leaflets, greetings cards, post cards and so on.



Rapid tool changing.

High quality micro perforation can be carried out to a high standard. There is optional slitter and scoring unit available by replacing the standard perforation unit. Cross perforation is also available by replacing creasing unit.



Designing, printing and finishing is now seamless!

The AeroCut plug-in for Adobe Illustrator is now available. Start the plug-in application via Illustrator, enter where to cut & crease just like the AeroCut, then perfectly arranged guides and cut mark will show up on the artboard. With the plug-in, designers can easily make suitable artworks to be finished by AeroCut. Of course you can store as many data as you need. The AeroCut Quatro can read the data made by the plug-in. Just connect your PC / Mac to the Quatro and send out the data. The settings of the Quatro will be changed in a second. Available for PC / Mac, Adobe Illustrator CS to CS5.

Specifications of AeroCut Quatro

Basic functions	Slitting Cross cutting Creasing Micro perforating AeroCut plug-in for Adobe Illustrator (Bundled in AeroCut Quatro AI package)	Dimensions	Width 910 mm Depth 800 mm Height 1090 mm
Operation	5 inch color touchpanel	Footprint	Width 1740 mm Depth 800 mm Height 1540 mm
Job memories	263 preset jobs 60 + 30 memories	Net weight	205 kg
Feeding system	Air blow + Upper belt suction feed Cut mark register + Skew adjustable Double feed detectable Capacity 100 mm	Power supply	200 - 240 VAC 50/60Hz 2.0 - 1.7A 400W
In-feed paper size	Width 210 - 365 mm Length 210 - 520 mm	Options	Rotary tool units Additional slitter units (including position fixed 6 blades) Scoring units with 2 wheels *Micro perfo. blade and scoring wheel can be added up to 3 in total
Min. finished size	Width 55 mm Length 50 mm	Cross part perfo.	50mm, 60mm and 70mm. (Not available with creasing unit)
Paper weight	120 - 350 gsm	Feeding unit	Ionizer
Speeds	46 sheets / min. A4 perfo. only 20 sheets / min. A4 2 cuts 1 crease 4 x greetings cards = 14 SRA3 8 x post cards = 12 SRA3 21 x business cards = 8 SRA3		

Specifications are subject to change without notice.